

HEPA Filter

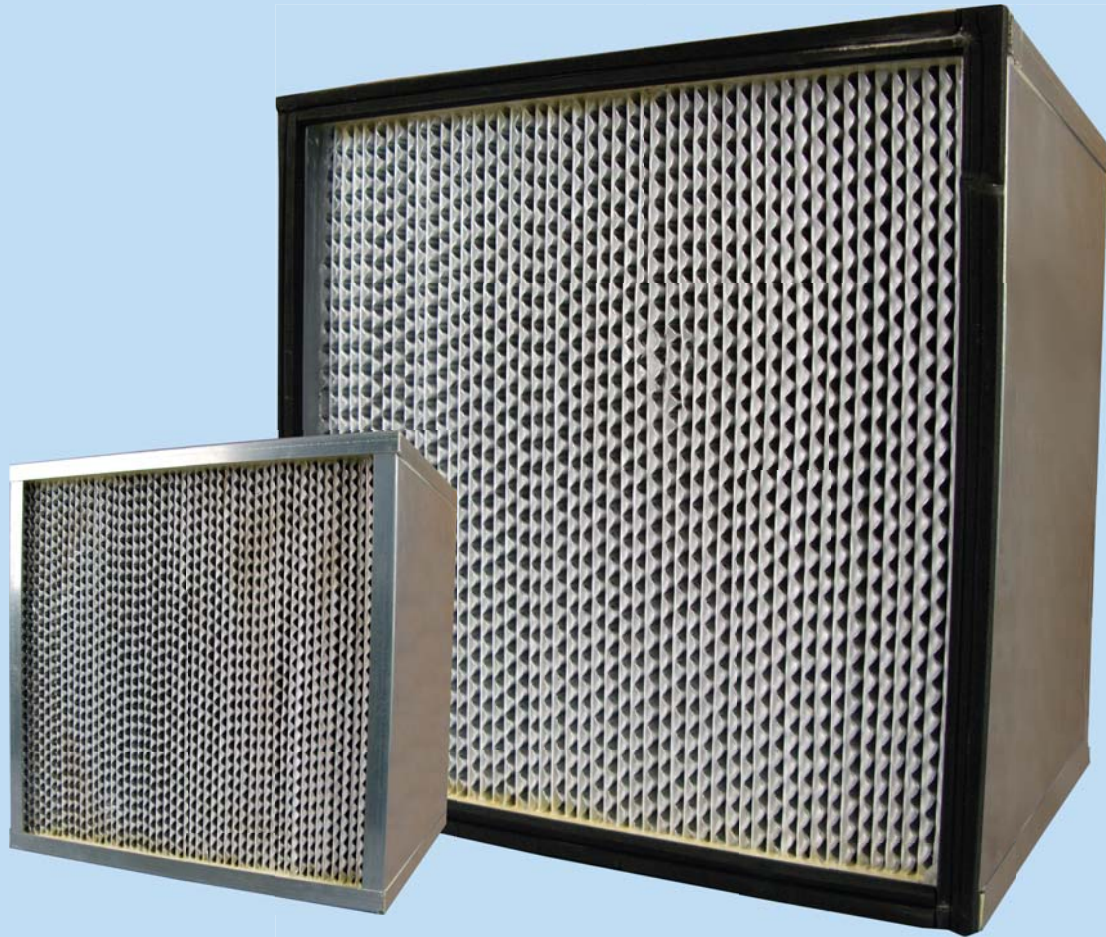
Low Resistance "LR" HEPA filters 99.97% efficient at 0.3 microns.

Available with a 3/4" particle board wood frame or with a 24 gauge galvanized steel frame.

All filters are individually tested per MIL-STD-282 and IEST-RP-CC001.3

For other sizes, capacities or frames, please contact us at 414-962-5323 or cservice@esca-tech.com

Low Resistance



Technical Specifications

Frame:	24 ga. Galvannealed steel or 3/4" particle board
Size:	24 X 24 X 11.5 inch
Weight:	43 lbs
Sealant:	Fire retardant urethane
Gasket:	1/4 x 3/4 inch, closed cell neoprene
Capacity:	2,000 cfm at 1.25" W.C. clean
Efficiency:	99.97% @ 0.3 microns
Filter media:	220 square feet Low Resistance - "LR"
Maximum Temp:	Continuous operation up to 200 °F (93 °C)

ESCA Tech offers a complete line of HEPA filters



3747 N. Booth Street

Milwaukee, WI 53212 USA

Phone: (414) 962-5323

Fax: (414) 962-7003

www.esca-tech.com

SPECIFICATION

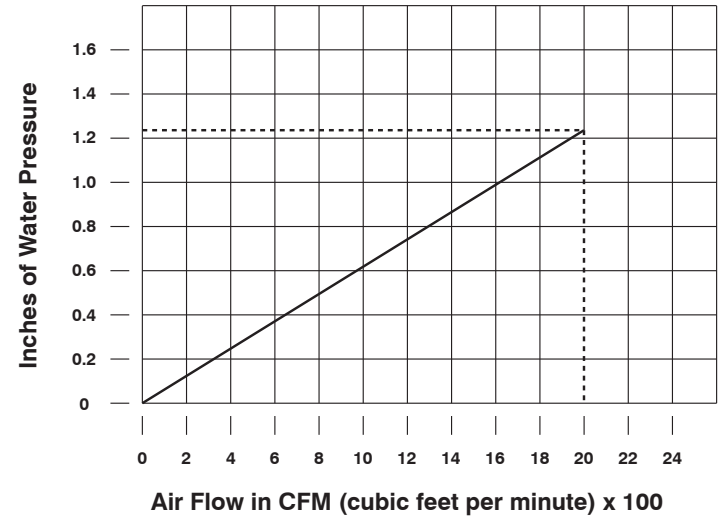
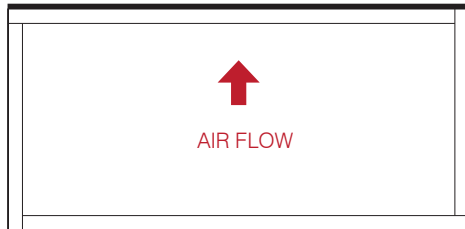
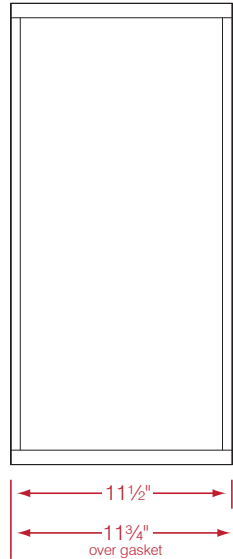
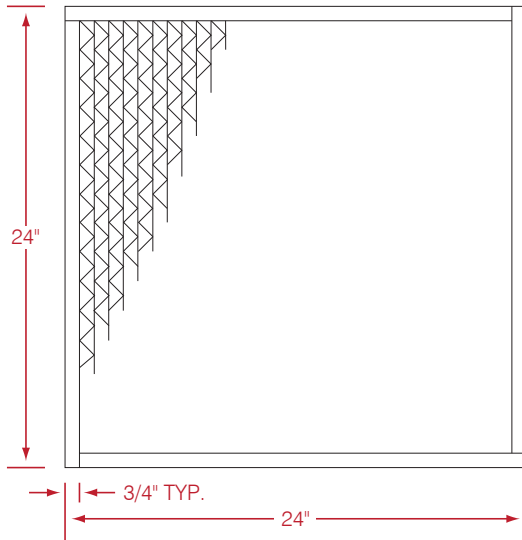
2000 CFM LOW RESISTANCE 'LR' HEPA FILTER

WOOD FRAME 2000 CFM LR HEPA

Part No: 1E2424XCBG2*1
 Size: 24" x 24" x 11.5"
 Efficiency: 99.97% at 0.3 microns
 Frame: 3/4" standard particle board
 Frame Style: Box style
 Filter Pack: 220 sq.ft. LR - Low Resistance
 Separators: Corrugated aluminum
 Gasket: Neoprene, 1/4 x 3/4"
 * = 1 for downstream
 * = 2 for upstream
 Sealant: Fire retardant urethane
 Faceguards: None
 Capacity: Less than 1.25" W.C. at 2,000 CFM
 Maximum Temp: 200 °F

STEEL FRAME 2000 CFM LR HEPA

Part No: 1E2424XCED2*1
 Size: 24" x 24" x 11.5"
 Efficiency: 99.97% at 0.3 microns
 Frame: 24 gauge galvanized steel, ASTM A653 G-60
 Frame Style: Double Turned Flange
 Filter Pack: 220 sq.ft. LR - Low Resistance
 Separators: Corrugated aluminum
 Gasket: Neoprene, 1/4 x 3/4"
 * = 1 for downstream
 * = 2 for upstream
 Sealant: Fire retardant urethane
 Faceguards: None
 Capacity: Less than 1.25" W.C. at 2,000 CFM
 Maximum Temp: 200 °F



For other sizes, capacities or frames, please contact us at 414-962-5323 or cservice@esca-tech.com

DRAWN BY:	DATE	SCALE
	4/26/17	1:10
REVISIONS	DATE	
SYM		

This drawing is the property of ESCA Tech, Inc. and is not to be used except in connection with our work. All rights of design or invention are reserved.

ESCA TECH, INC.
 Contamination Control Systems & Services
 Milwaukee, WI 53212 Phone (414) 962-5323

2000 CFM 'LR' HEPA FILTER

PROJECT	SHEET	OF
LOCATION	1	1
DRAWING NO.	1E2424XC	